



### Key features:

- 1/3 inch 3CCD
- HDTV format output 16:9 (1080i)
- Digital output (HD-SDI)  
& analog output (RGB / Y Pb Pr)
- 6 colors matrix correction



IK-HD1C (control unit), IK-HD1H (head)

### Specification

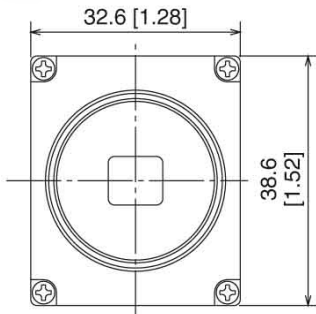
Power supply	12V DC±10%
Power consumption	Approx. 10.3 W (including a camera head)
Pick-up system	RGB, 3CCD, Micro prism system
Image sensor	1/3 inch, IT-CCD
Output pixels	Horizontal : 1920, Vertical : 1080
Scanning system	2:1 interlace
Scan frequency	[60 Hz setting] Horizontal : 33.75 kHz, Vertical : 60 Hz, switchable: [59.94 Hz setting] Horizontal : 33.716 kHz, Vertical : 59.94 Hz
Sync system	Internal/External (Automatic switching)
Sensitivity	F6.8 standard (2000 lx, 3000 K)
Minimum illumination	13 lx (F2.2, sensitivity +18 dB)
SN ratio	56 dB standard (gain 0 dB, DNR OFF)
Ambient temperature	0° to 40° (32°F to 104°F)
Ambient humidity	Less than 90%
Weight	Approx. 730g (1.61 lbs)
External dimension	110(W) x 40(H) x 186(D) mm (4.33"(W) x 1.57"(H) x 7.32"(D)) (excluding protrusions)
Scene file(user memories)	A, B, C, D, E
White balance	ATW (Automatic tracing balance), AWB (Automatic white balance), MANUAL (Manual)
Gain	AUTO (Automatic gain control), MANUAL (Manual), OFF (0 dB)
Output signal	Y/PB/PR or RGB : 75Ω unbalanced, BNC connector HD-SDI (SMPTE 292M) : 75Ω unbalanced, BNC connector
External sync input	SYNC 75Ω unbalanced BNC connector [59.94 Hz setting] Horizontal : 33.716 kHz ±35 ppm, Vertical : 59.94 Hz ±35 ppm [60 Hz setting] Horizontal : 33.75 kHz ±35 ppm, Vertical : 60 Hz ±35 ppm
Sync signal output	SYNC 0.3 V ±0.1 V 75 Ω unbalanced BNC connector [59.94 Hz setting] Horizontal : 33.716 kHz ±35 ppm, Vertical : 59.94 Hz ±35 ppm [60 Hz setting] Horizontal : 33.75 kHz ±35 ppm, Vertical : 60 Hz ±35 ppm
Interface	Serial data interface (RS-232C)

Optional parts	camera cable
	EXC – HD03 (Approx. 3m camera cable)
	EXC – HD06 (Approx. 6m camera cable)
	EXC – HD10 (Approx. 10m camera cable)
	EXC – HD30 (Approx. 30m camera cable)

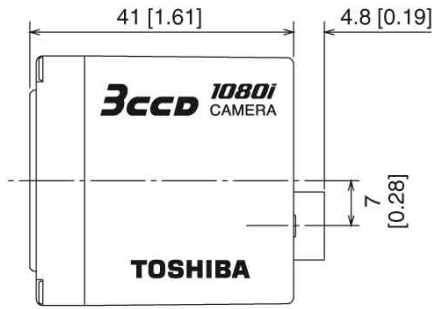
Design and specifications are subject to change without notice.

# Camera Head

Unit : mm [inch]  
 Ø : diameter

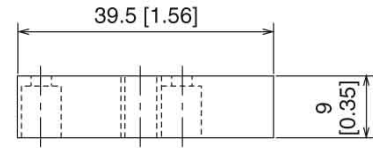


Front

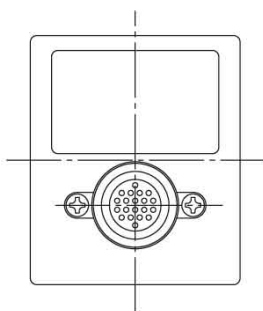


Side

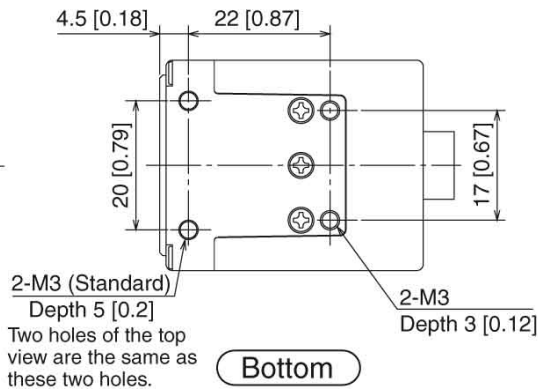
## Tripod mount



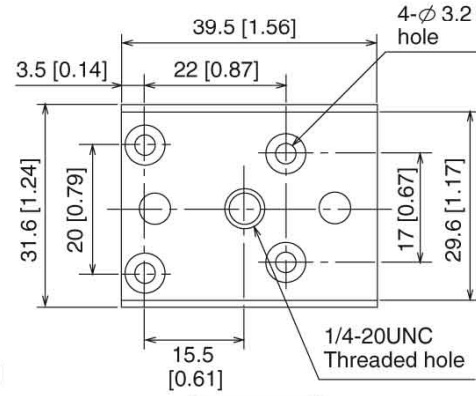
Side



Rear

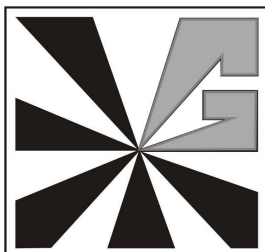
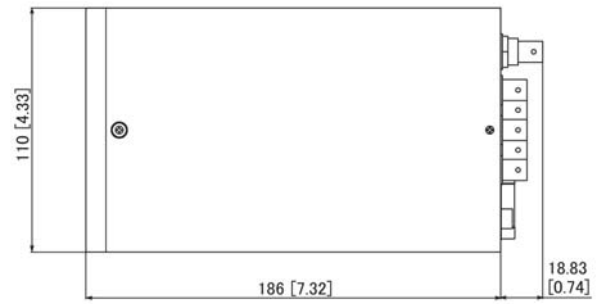


Bottom



Bottom

# External Appearance Diagram



# GTV-GERLACH

52379 Langerwehe, Hauptstrasse 84

Tel.: 02423-90047 Fax: 02423-902505

E-Mail: [pictureland@t-online.de](mailto:pictureland@t-online.de) [www.pictureland.de](http://www.pictureland.de)